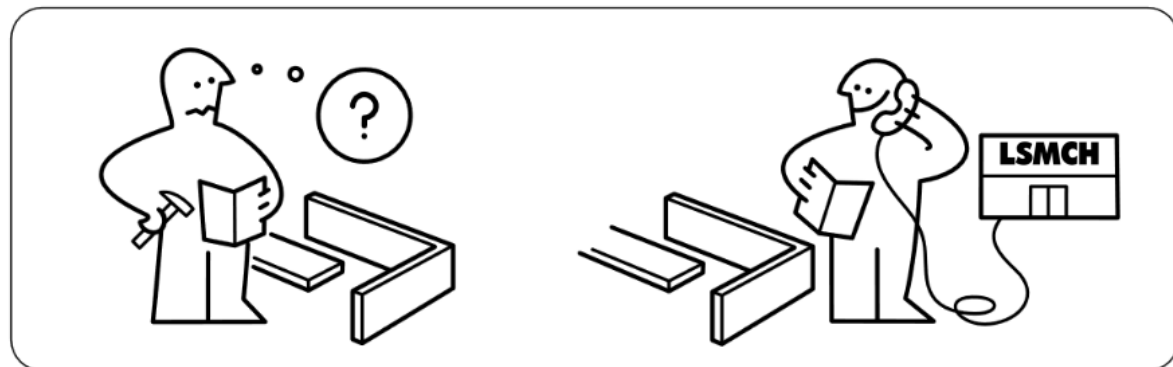
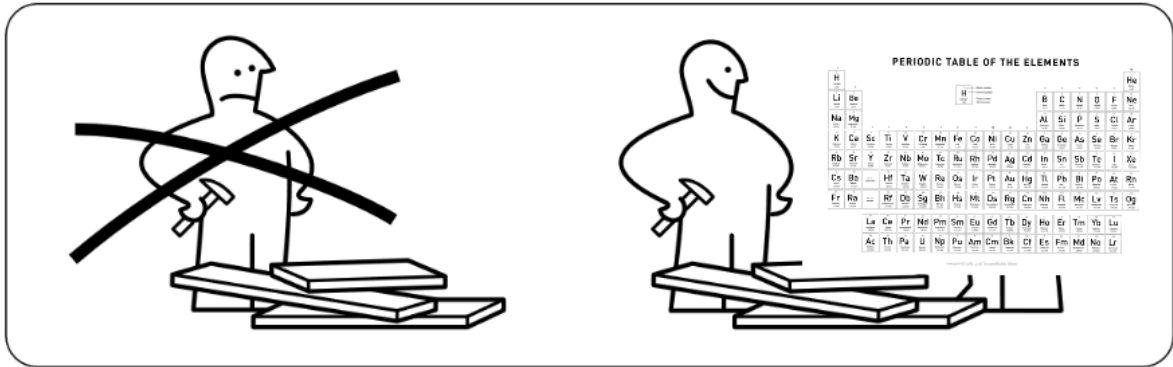




# LSMCH



**16 TR 8 M 58 19**  
**23 53 A 102 112 39**